

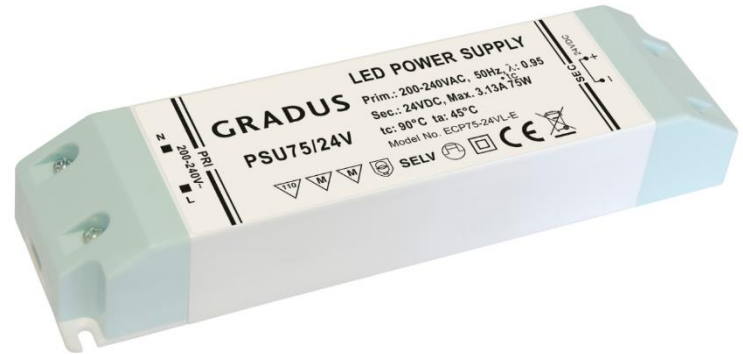
## Lighting Specification

### PSU75/24V 75W Constant Voltage Driver

Data Sheet: Page 1 of 2 SM/SB 18/10/2018

#### Features

- Input voltage: 200 – 240VAC
- Output power: 75W
- Input frequency: 50/60Hz
- High efficiency up to 85%
- Compact and light-weight plastic case
- Protections: Short circuit/Overload/Over temp/Over voltage
- 1 year warranty



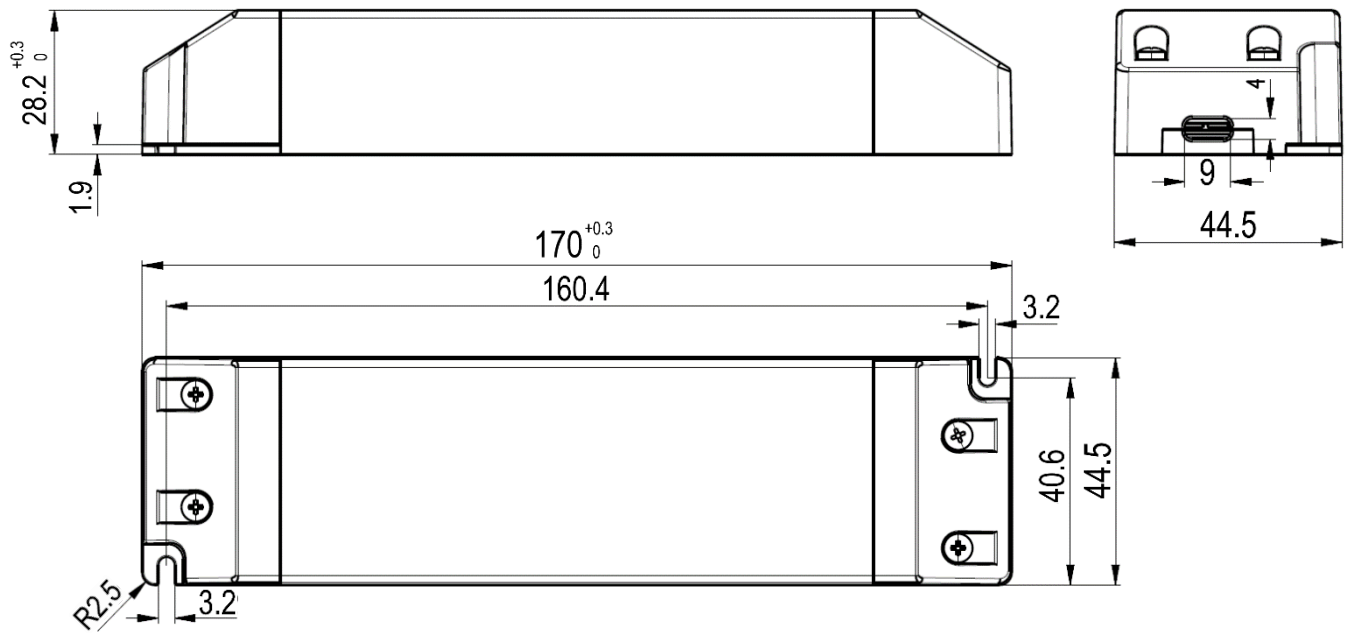
Model		PSU75/24V
Output	Rated Voltage	24V
	Voltage Accuracy	±0.5V
	Current Range	0 – 3.13A
	Rated Power	75W
Input	Voltage Range	±5%
	Frequency Range	50/60Hz
	Power Factor (Typ.)	PF≥0.9
	Full Load Efficiency (Typ.)	85%
	Inrush Current	<75A
Protection	Short Circuit	Ta, 0.94 – 1.06 times of input voltage
	Over Load	Ta, 0.94 – 1.06 times of input voltage, 1.5 times of rated power
	Over Voltage	Ta, 0.94 – 1.06 times of input voltage, output voltage is 1.5 times of rated one
Environment	Working Temperature	-20°C to +45°C
	Working Humidity	45 – 85% RH
Safety & EMC	Safety Standards	EN61347-1; EN61347-2-13
	EMC Emission	EN61000-4-2,3,4,5,6; EN61547
	EMC Immunity	EN55015
Others	Dimensions	170 x 44.5 x 28.2 mm (L x W x H)

## Lighting Specification

PSU75/24V  
75W Constant Voltage Driver

Data Sheet: Page 2 of 2 SM/SB 18/10/2018

### Mechanical Specification



Dimensions shown in mm